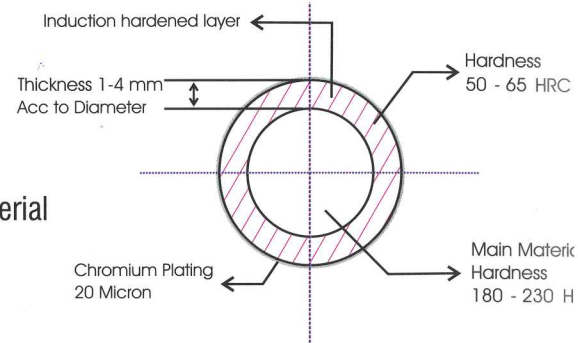


Technical Properties

Main Material Hardness	: 180 -230 HB
Thickness of Hard Chromium Layer	: 20 Microns
Hardness of Chromium	: Hv 800 – 1000
Thickness of Induction Hardened Layer	: 1 mm to 4 mm Acc to Dia
Hardness of Induction Hardened Layer	: 50 to 65 HRC Acc to Main Material
Straightness	: 0.05/1000 mm
Tolerance of Diameter	: Iso f 7
Standard Length of Bars	: 5 – 6.5 Meter
Roundness	: 1/2 Diameter Tolerance
Ovality	: 1/3 Diameter Tolerance
Diameter Range	: 6 mm to 160 mm



INDUCTION HARDENED BARS

- Induction hardened bars for hydraulic cylinders
- Induction hardened bars for linear systems
- Induction hardened bars for high corrosive environments.



Induction Hardened Hard Chromium plated Bars with Hollows



Dia (mm)	Hollow Tooth Size	Hollow Center Distance
16 mm	Metric 5	100 mm
20 mm	Metric 6	100 mm
25 mm	Metric 8	120 mm
30 mm	Metric 8	150 mm
35 mm	Metric 8	150 mm
40 mm	Metric 10	200 mm
45 mm	Metric 10	200 mm
50 mm	Metric 10	200 mm
55 mm	Metric 12	250 mm
60 mm	Metric 12	250 mm
70 mm	Metric 14	250 mm
80 mm	Metric 14	250 mm